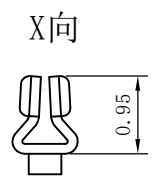
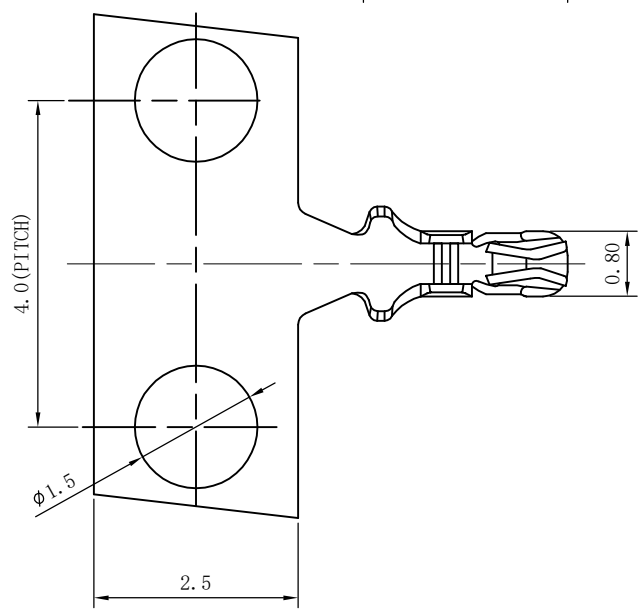
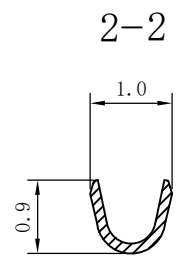
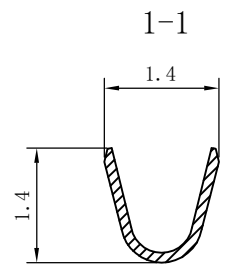
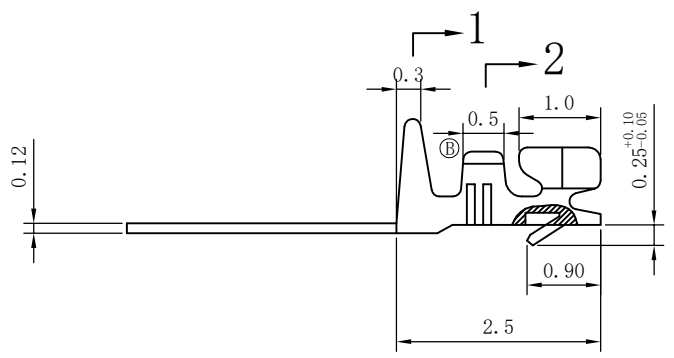


| REV. | ECN NO | DESCRIPTION | REVISED | DATE |
|------|------------|-------------|---------|----------|
| A | | New drawing | HELLER | 16.03.03 |
| B | 2016090103 | 修改尺寸, 修改材料 | HELLER | 16.09.01 |



Specifications/技术规格:

Current Rating: 1A
 额定电流: 1A
 Insulation Resistance: 100 MΩ Min.
 绝缘电阻: 最小100MΩ
 Dielectric Withstanding: 500V AC
 耐电压: 500V AC
 Contact Resistance: 20mΩ Max.
 接触电阻: 最大20mΩ
 Operating Temperature: -25°C to +85°C
 工作温度: -25°C 到 85°C

Materials/材料:

Contact Material: Phosphor Bronze (Tin plating)
 接触端子材料: 磷铜(镀锡)

浙江快利电子有限公司
 Zhejiang Kuaili Electronic Co., Ltd

| GENERAL TOLERANCE | |
|-------------------|-------------|
| X.° ± 3° | X. ± 0.35 |
| .X° ± 2° | .X ± 0.25 |
| .XX° ± 1° | .XX ± 0.15 |
| .XXX° ± 0.5° | .XXX ± 0.10 |

| | | | |
|-----------|--------|-------|----------|
| DESIGN: | HELLER | DATE: | 16.09.01 |
| CHECKED: | 瞿益远 | DATE: | 16.09.01 |
| AUDITED: | 张宁 | DATE: | 16.09.01 |
| APPROVED: | 朱建华 | DATE: | 16.09.01 |

| | |
|----------|------------|
| DWG. NO. | ----- |
| PART NO. | KL-1258-TE |

| | |
|--------|---------|
| TITLE. | 1258-TE |
|--------|---------|

| REV. | UNIT. | MM | SCALE. | |
|------|-------|----|--------|--|
| B | | | - | |