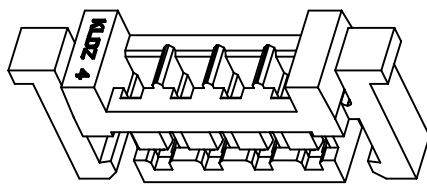
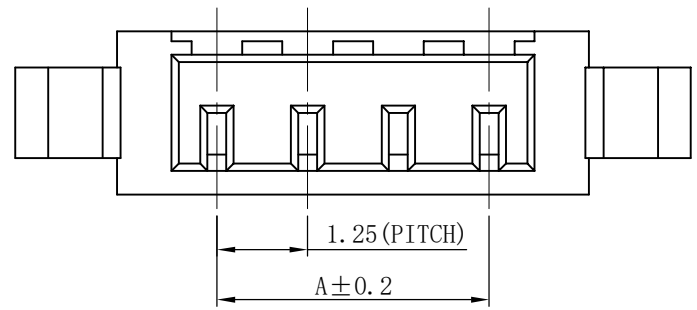
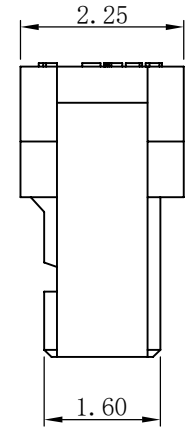
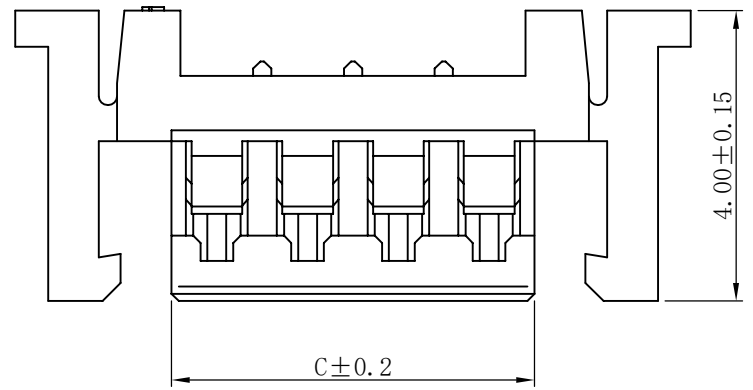
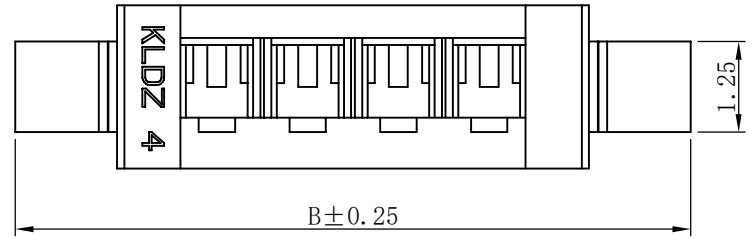


REV.	ECN NO	DESCRIPTION	REVISED	DATE
A		New drawing	KEVIN	2016-1-18
B	2016040802	修改额定电压	HELLER	2016-4-8



SPECIFICATIONS:

1. Operation temperature : -25~+85° C;
2. Current rating: 1.0A;
3. Voltage rating: 125V DC/AC;
4. Contact resistance: 20mΩ max;
5. Insulation resistance: 100MΩ min;
6. Dielectric voltage: 500V AC /minute;
7. Environmental requirement: according to ROHS standard.

MATERIAL:
Insulation Material: PA or PBT UL94V-0

CKT.	A	B
2	1.25	6.80
3	2.50	8.05
4	3.75	9.30
5	5.00	10.55
6	6.25	11.80
7	7.50	13.05
8	8.75	14.30
9	10.00	15.55
10	11.25	16.80
11	12.50	18.05
12	13.75	19.30
13	15.00	20.55
14	16.25	21.80
15	17.50	23.05
16	18.75	24.30

 浙江快利电子有限公司

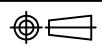
GENERAL TOLERANCE	
X. ± 3°	.XXX ± 0.10
.X° ± 2°	.XX ± 0.15
.XX° ± 1°	.X ± 0.25
.XXX° ± 0.5°	X. ± 0.35

DESIGN: 瞿益远
CHECKED: 张宁
APPROVED: 朱建华

DATE: 2016-4-8
DATE: 2016-4-8
DATE: 2016-4-8

DWG. NO.
PART NO. KL-1258-NY

TITLE.
1258-NY

REV.	B	UNIT.	MM	SCALE.	-	
------	---	-------	----	--------	---	---