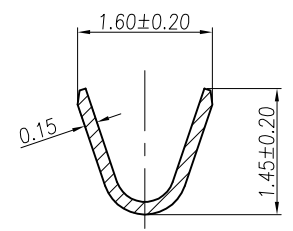
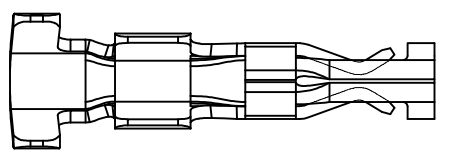
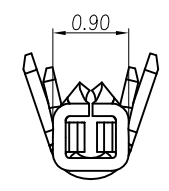


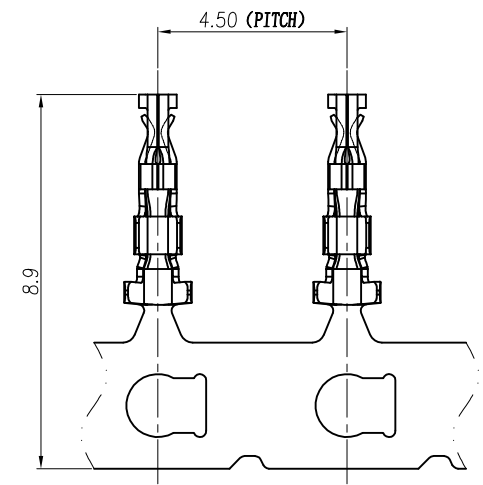
1 2 3 4 5 6 7 8 9



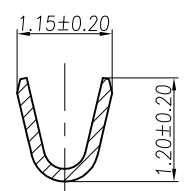
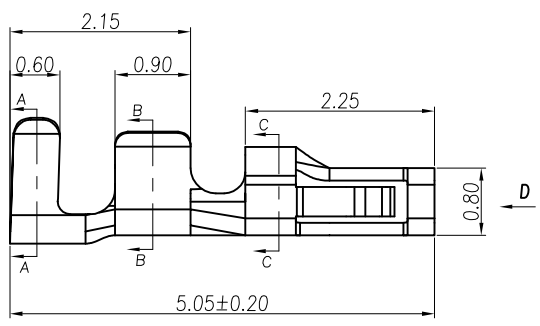
SECT. A-A



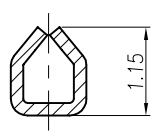
DETAIL D



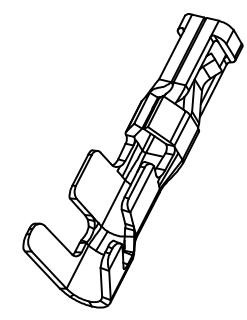
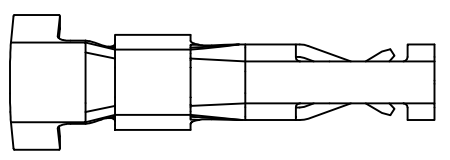
排样图
SCALE 0.5:1



SECT. B-B



SECT. C-C



Specifications / 技术规格:

Current Rating: 1A
额定电流: 1A

Contact Resistance: 20mΩ Max.
接触电阻: 最大20mΩ

Operating Temperature: -25°C to +85°C
工作温度: -25°C 到 85°C

Materials / 材料:

Contact Material: Phosphor Bronze
接触端子材料: 磷青铜

Finish: Tin plated

表面处理: 镀锡。

 浙江快利电子有限公司
Zhejiang Kuaili Electronic Co., Ltd

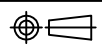
GENERAL TOLERANCE	
X° ± 3'	.XXX: ±0.10
.X° ± 2'	.XX: ±0.15
.XX° ± 1'	.X: ±0.25
.XXX° ± 0.5'	X: ±0.35

DESIGN: HELLER
CHECKED: 瞿益远
AUDITED: 曹德友
APPROVED: 朱建华

DATE: 17.11.29
DATE: 17.11.29
DATE: 17.11.29
DATE: 17.11.29

DWG. NO.
PART NO.
KL-1253-TE

TITLE.
1253-TE

REV.	A	UNIT.	MM	SCALE.	---	
------	---	-------	----	--------	-----	---

1 2 3 4 5 6 7 8 9