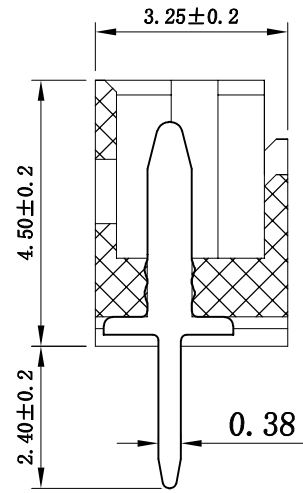
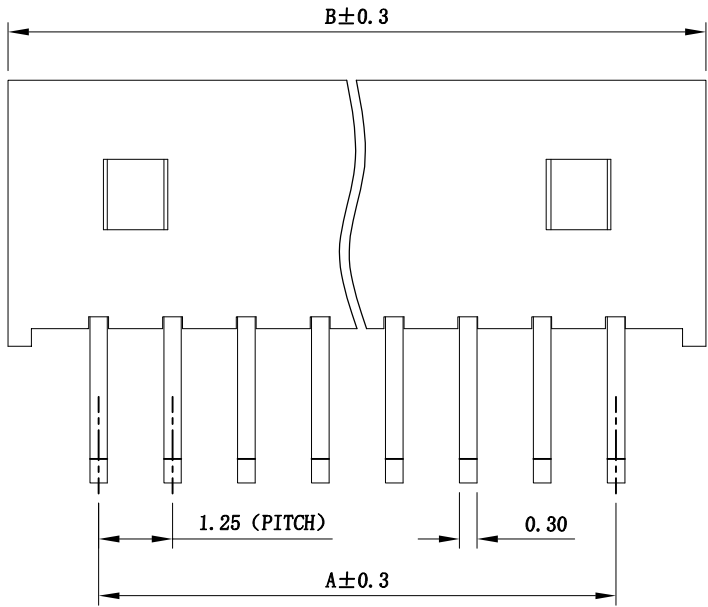


1 2 3 4 5 6 7 8 9

ROHS

REV.	ECN NO	DESCRIPTION	REVISED	DATE
A		新订图面	KEVIN	

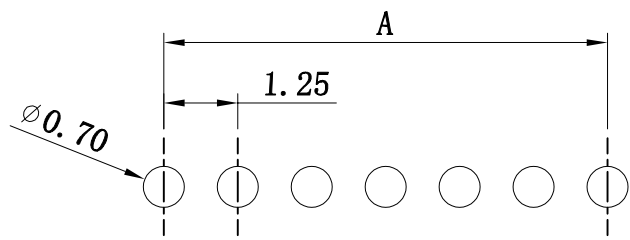


Specifications / 技术规格:

Current rating: 1A
 额定电流: 1A
 Voltage rating: 125V AC,DC
 额定电压: 125V AC,DC
 Insulation Resistance: 500MΩ Min.
 绝缘电阻: 最小500MΩ
 Dielectric Withstanding: 500V AC 1Min
 耐压: 500V AC 1分钟
 Contact Resistance: 20mΩ Max.
 接触电阻: 最大20mΩ
 Operating Temperature: -25°C to +85°C
 工作温度: -25°C 到85°C

Materials / 材料:

Contact Material: Brass (Tin plating)
 接触端子材料: 黄铜(镀锡)
 Insulation Material: PA or PBT UL94V-0 Natural
 绝缘体塑胶材质: PA 或 PBT UL94V-0 本色



Recommended P.C.Board Hole Layout

P数	A	B
2A	1.25	4.30
3A	2.50	5.55
4A	3.75	6.80
5A	5.00	8.05
6A	6.25	9.30
7A	7.50	10.55
8A	8.75	11.80
9A	10.00	13.05
10A	11.25	14.30
11A	12.50	15.55
12A	13.75	16.80
13A	15.00	18.05
14A	16.25	19.30
15A	17.50	20.55
16A	18.75	21.80

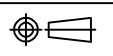
 浙江快利电子有限公司
 Zhejiang Kuaili Electronic Co., Ltd

GENERAL TOLERANCE	
X* ± 3'	.XXX: ±0.10
.X* ± 2'	.XX : ±0.15
.XX* ± 1'	.X : ±0.25
.XXX* ± 0.5'	X. : ±0.35

DESIGN:	KEVIN	DATE:	15'.3.10
CHECKED:		DATE:	
AUDITED:		DATE:	
APPROVED:		DATE:	

DWG. NO.	
PART NO.	KL-1.25-NA-02-BE

TITLE.	1.25-NA
--------	---------

REV.	A	UNIT.	MM	SCALE.	1:1	
------	---	-------	----	--------	-----	---

1 2 3 4 5 6 7 8 9